

Project Parcel

# Ogilvie Sub Solar

## Soltek Inc

14757 Oakways  
Court  
Wayzata MN  
55391  
(612) 867-3314

Area Map



Ogilvie  
Sub Solar

Soltek Inc  
14757 Oakways  
Court  
Wayzata MN  
55391  
(612) 867-3314

Area Map



Ogilvie  
Sub Solar

Soltek Inc  
14757 Oakways  
Court  
Wayzata MN  
55391  
(612) 867-3314

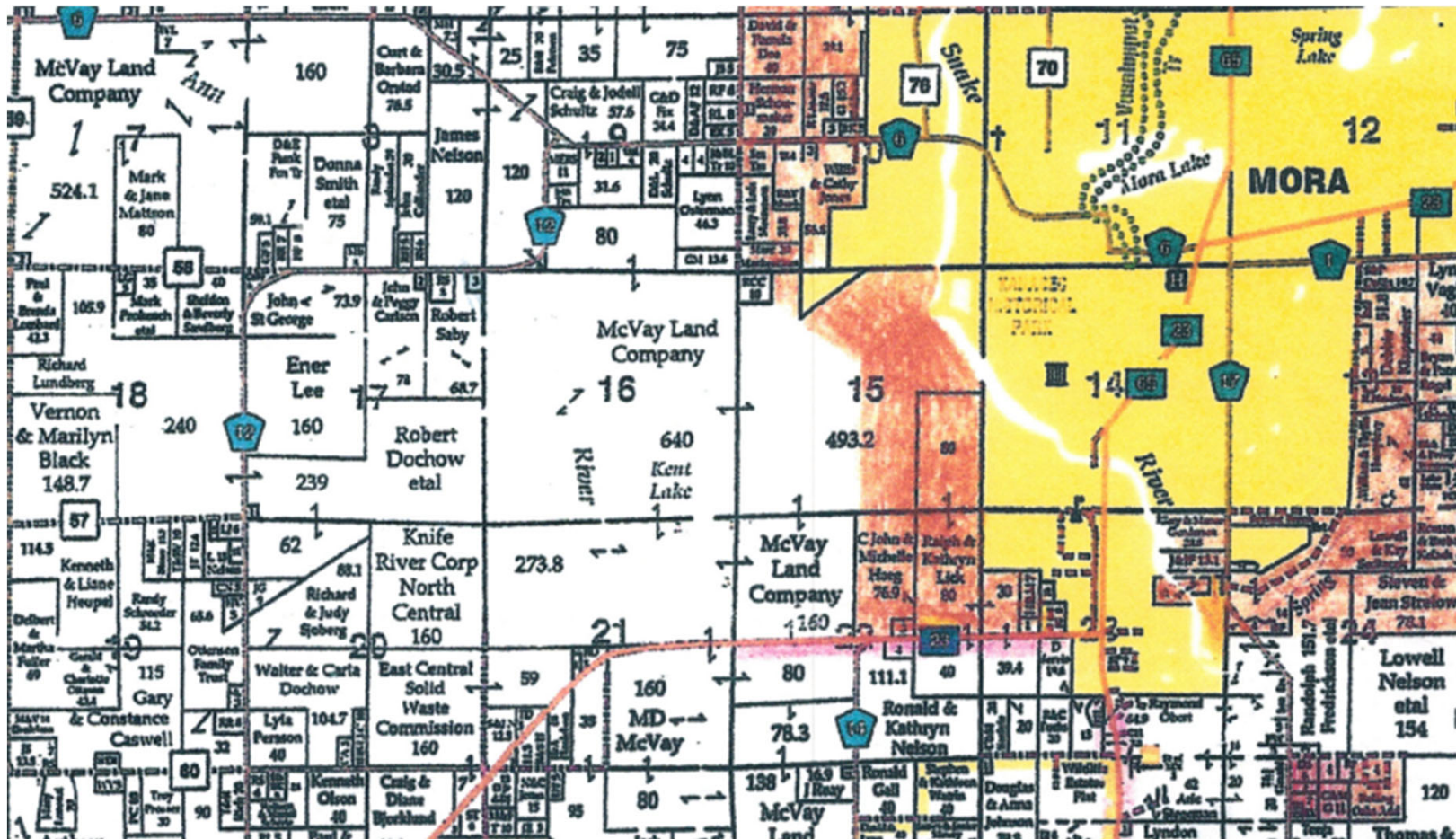
Site  
Topography



# Ogilvie Sub Solar

Soltek Inc  
14757Oakways  
Court  
Wayzata MN  
55391  
(612) 867-3314

Site Wetland  
Features



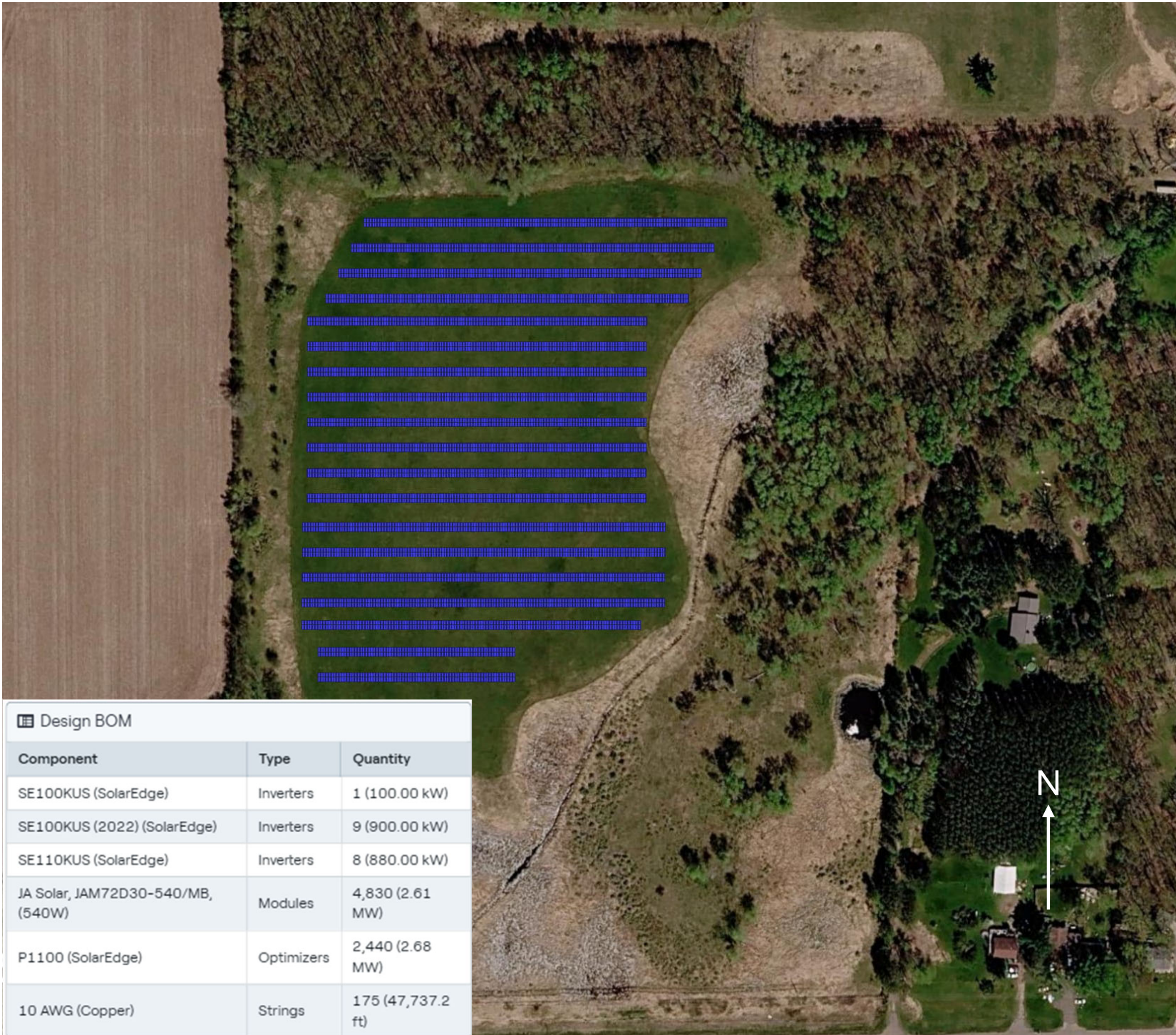
- Rural Residential
- Ag Transitional
- Ag Residential
- B1 (660 feet on each side of Hwy)  
*65*
- B2 (660 feet on each side of Hwy)



Ogilvie  
Sub Solar

Soltek Inc  
14757 Oakways  
Court  
Wayzata MN  
55391  
(612) 867-3314

Land Use  
Map



# Ogilvie Sub Solar

**Soltek Inc**  
 14757Oakways  
 Court  
 Wayzata MN  
 55391  
 (612) 867-3314

Design BOM		
Component	Type	Quantity
SE100KUS (SolarEdge)	Inverters	1 (100.00 kW)
SE100KUS (2022) (SolarEdge)	Inverters	9 (900.00 kW)
SE110KUS (SolarEdge)	Inverters	8 (880.00 kW)
JA Solar, JAM72D30-540/MB, (540W)	Modules	4,830 (2.61 MW)
P1100 (SolarEdge)	Optimizers	2,440 (2.68 MW)
10 AWG (Copper)	Strings	175 (47,737.2 ft)

Layout  
Overview



Ogilvie  
Sub Solar

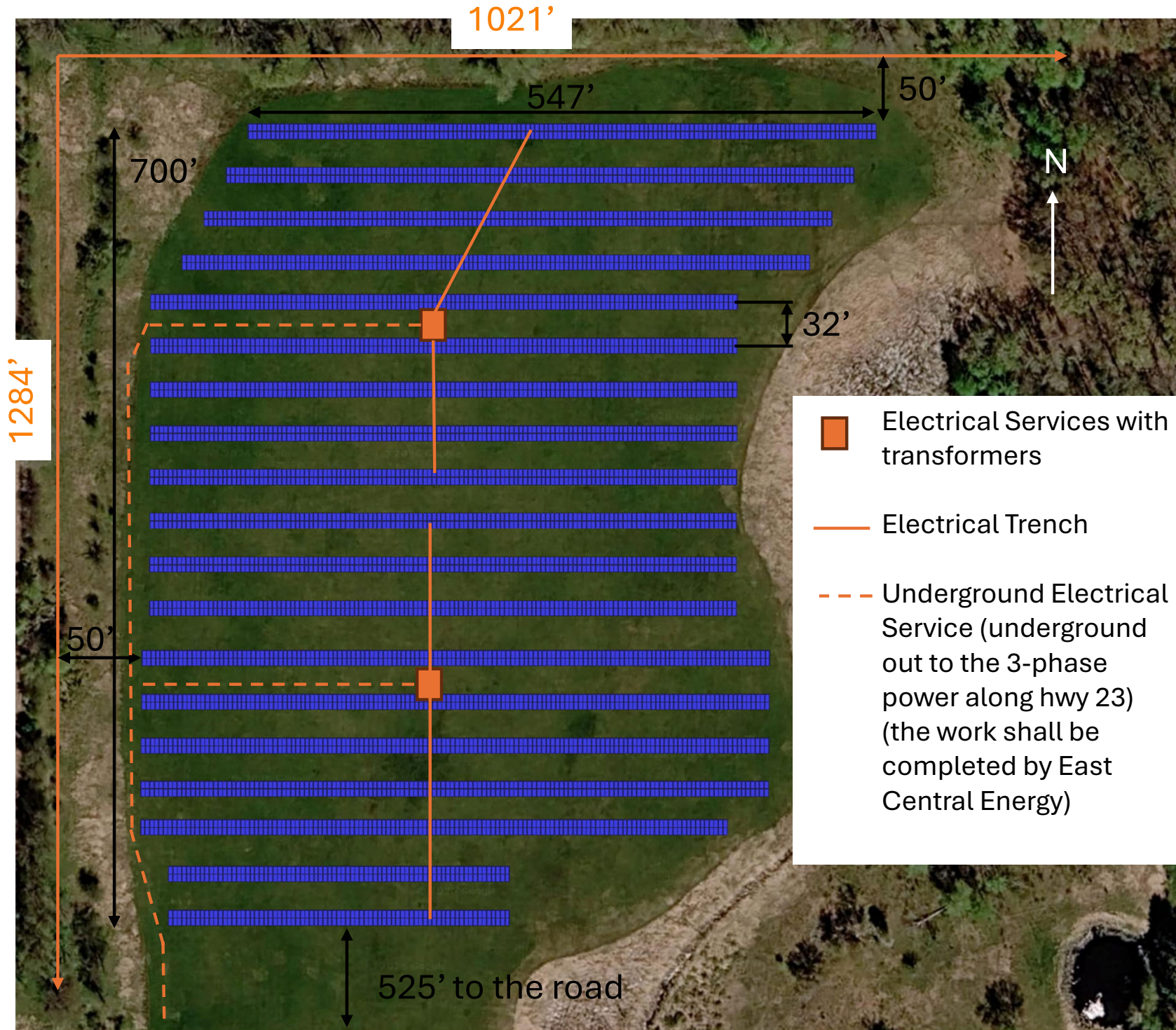
Soltek Inc

14757Oakways  
Court  
Wayzata MN  
55391  
(612) 867-3314



5' woven wire  
field fence

Fencing Plan



- Electrical Services with transformers
- Electrical Trench
- Underground Electrical Service (underground out to the 3-phase power along hwy 23) (the work shall be completed by East Central Energy)

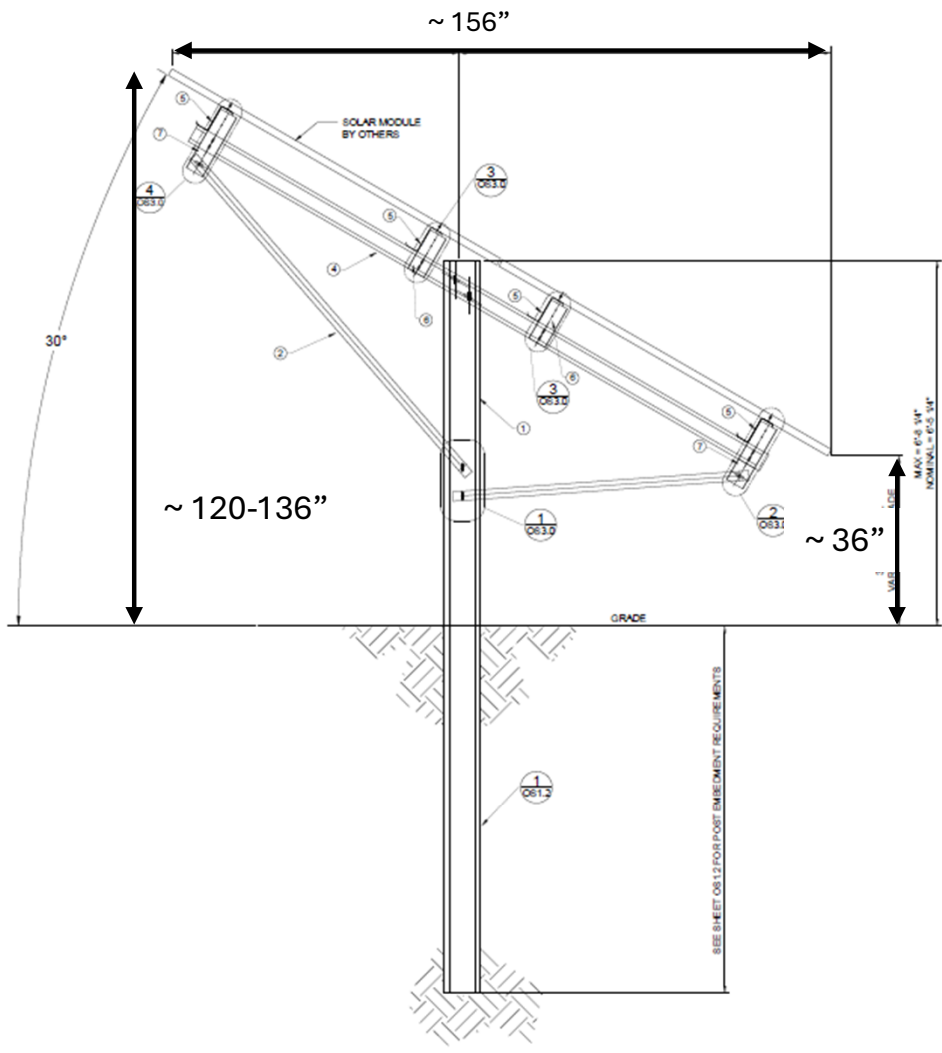
Ogilvie  
Sub Solar

Soltek Inc  
14757 Oakways  
Court  
Wayzata MN  
55391  
(612) 867-3314

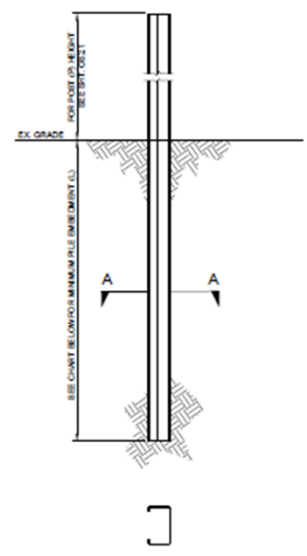
Project  
Structures  
and Features

Ogilvie  
Sub Solar

Soltek Inc  
14757 Oakways  
Court  
Wayzata MN  
55391  
(612) 867-3314



TYP. SECTION AT POST (NTS) A



VIEW "A-A" TYPICAL DRIVEN PILE (PD) 1

Typical Fixed  
Tilt Racking